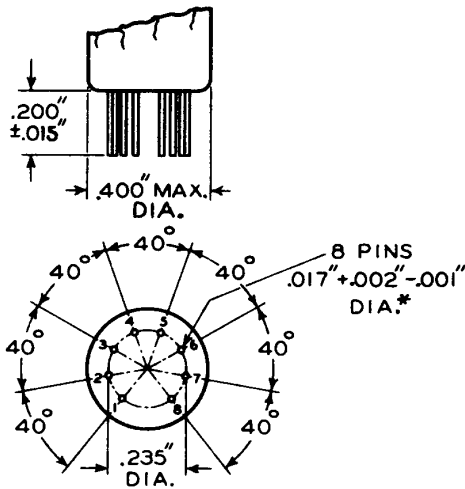




# BASES

## 8-PIN TYPES

### SMALL-BUTTON SUB-MINAR 8-PIN



JETEC No. E8-9

Base-pin positions are held to tolerances such that entire length of pins will without undue force pass into and disengage from flat-plate gauge JETEC No. GE8-1. This gauge contains a flat-plate section having thickness of 13/64" and nine holes with diameters of 0.0240" ± 0.0005" so located on a 0.2350" ± 0.0005" diameter circle that the distance along the chord between any two adjacent hole centers is 0.0804" ± 0.0005".

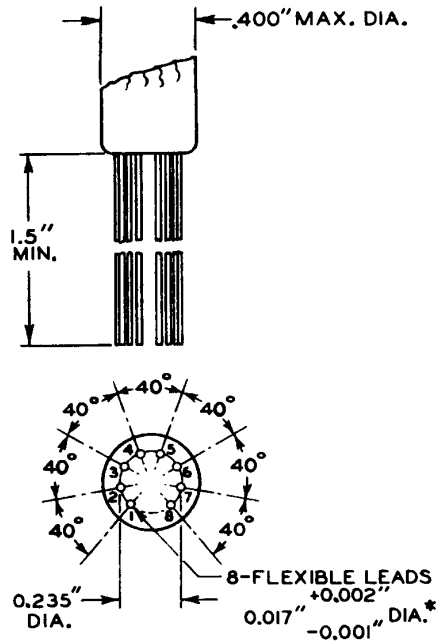
The design of the socket should be such that circuit wiring can not impress lateral strains through the socket contacts on the base pins. The point of bearing of the contacts on the base pins should not be closer than 0.050" from the bottom of the seated tube.

\* The specified pin diameter applies only in the zone between 0.050" from the base seat and the end of the pin.



# BASES

8-LEAD TYPES



JETEC No. E8-10

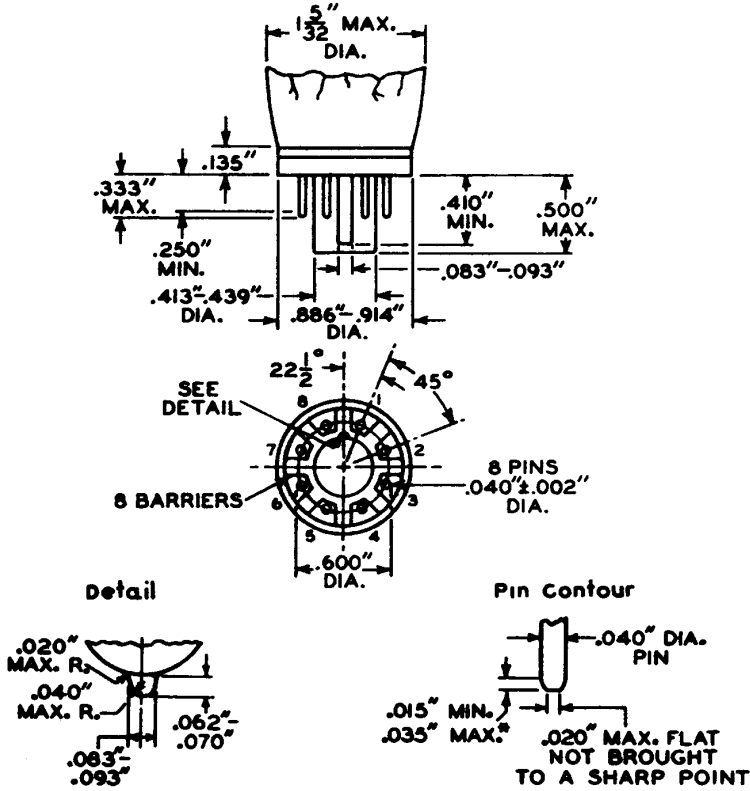
\* The specified lead diameter applies only in the zone between 0.050" and 0.250" from the base seat. Between 0.250" and 1.500", a maximum diameter of 0.021" is held. Outside of these zones, the lead diameter is not controlled.



# BASES

## 8-PIN TYPES

### SMALL-BUTTON NEOEIGHTAR



No. of Pins	Pins	JEDEC No.	RCA No. *
8-Pin	1, 2, 3, 4, 5, 6, 7, 8	B8-218	80001
7-Pin <sup>■</sup>	1, 2, 3, 4, 6, 7, 8	B7-208	80001
7-Pin <sup>▲</sup>	2, 3, 4, 5, 6, 7, 8	B7-219	80001

Base-pin positions are held to tolerances such that the base will fit a flat-plate gauge having a thickness of 3/8" and eight equally spaced holes of 0.0550" ± 0.0005" diameter located on a 0.6000" ± 0.0005" diameter circle. The gauge is also provided with a center hole to provide 0.010" diametric clearance for the lug and key. Pin fit in the gauge shall be such that the entire length of pins will, without undue force, enter into and disengage from the gauge.

\* This dimension around the periphery of any individual pin may vary within the limits shown.

■ This number applies to wafer only.

▲ Arrangement 1.

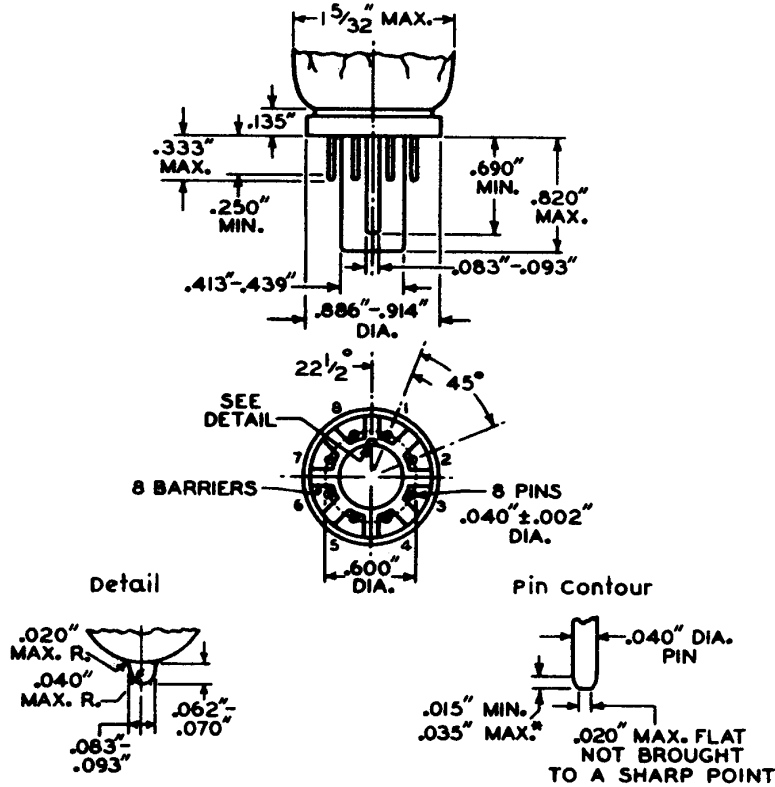
▲ Arrangement 2.



# BASES

## 8-PIN TYPES

### SMALL-BUTTON EIGHTAR



No. of Pins	Pins	JEDEC No.	RCA No. #
8-Pin	1, 2, 3, 4, 5, 6, 7, 8	B8-181	80000
7-Pin <sup>■</sup>	2, 3, 4, 5, 6, 7, 8	B7-182	80000
7-Pin <sup>▲</sup>	1, 2, 3, 4, 6, 7, 8	B7-183	80000

Base-pin positions are held to tolerances such that the base will fit a flat-plate gauge having a thickness of  $3/8$ " and eight equally spaced holes of  $0.0550$ "  $\pm$   $0.0005$ " diameter located on a  $0.6000$ "  $\pm$   $0.0005$ " diameter circle. The gauge is also provided with a center hole to provide  $0.010$ " diametric clearance for the lug and key. Pin fit in the gauge shall be such that the entire length of pins will, without undue force, enter into and disengage from the gauge.

\* This dimension around the periphery of any individual pin may vary within the limits shown.

\* This number applies to wafer only.

■ Arrangement 1.

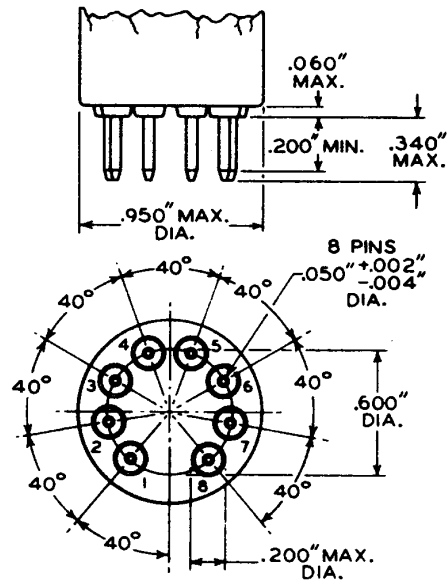
▲ Arrangement 2.



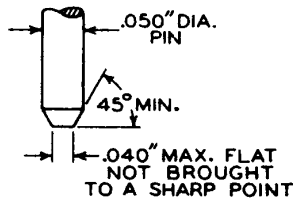
# BASES

## 8-PIN TYPES

### SMALL-BUTTON NEODITETRAR 8-PIN



### Neoditetrar-Base Pin Contour



JEDEC No. E8-49  
RCA No. FSB6006\*

Base-pin positions are held to tolerances such that entire length of pins will, without undue force, pass into and disengage from flat-plate gauge having thickness of 1/4" and nine holes with diameters of  $0.0700" \pm 0.0005"$  so located on a  $0.6000" \pm 0.0005"$  diameter circle that the distance along the chord between any two adjacent hole centers is  $0.2052" \pm 0.0005"$ .

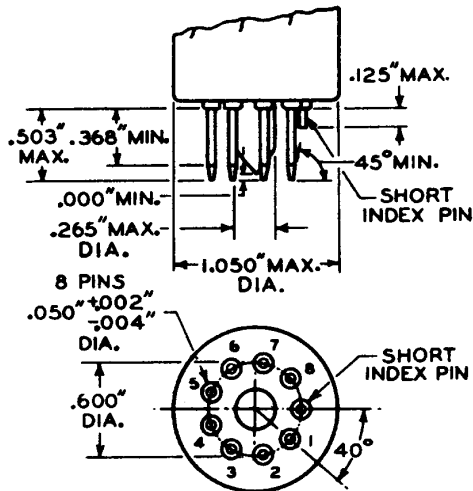
\* This number applies to stem only.



# BASES

## 8-PIN TYPES

### SMALL-BUTTON DITETRAR 8-PIN



JEDEC No. E8-11
RCA No. { FSB675* FSB6015*

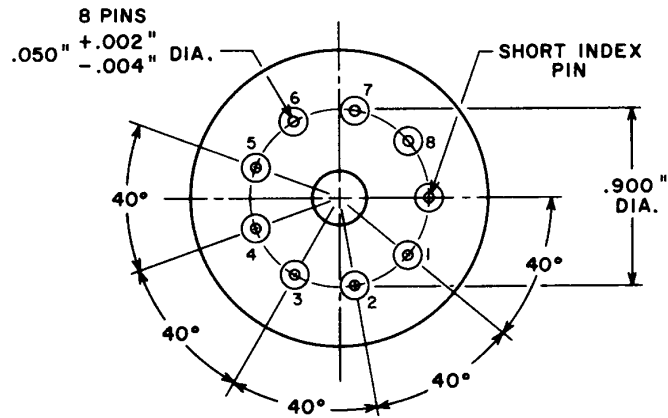
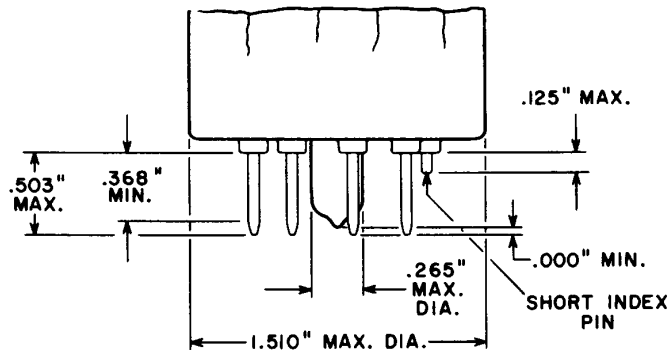
Base-pin positions are held to tolerances such that entire length of pins will, without undue force, pass into and disengage from flat-plate gauge having thickness of 1/4" and nine holes with diameters of 0.0700" ± 0.0005" so located on a 0.6000" ± 0.0005" diameter circle that the distance along the chord between any two adjacent hole centers is 0.2052" ± 0.0005". Gauge is also provided with a hole having diameter of 0.300" ± 0.001" concentric with the pin circle.

\* This number applies to stem only.

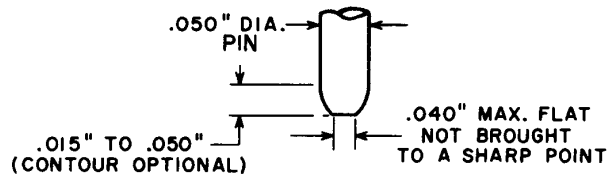
# Bases

## 8-Pin Types

### SMALL-BUTTON SUPERDITETRAR Pin Dimensions and Orientation



### Superditetrar-Base-Pin Contour



JEDEC No. E8-78  
RCA No. FSB6055\*

Base-pin positions are held to tolerances such that entire length of pins will, without undue force, pass into and disengage from a flat-plate gauge having a thickness of

\* This number applies to stem only.



RADIO CORPORATION OF AMERICA  
Electron Tube Division  
Harrison, N. J.

BASES 11C  
1-62

# Bases

## 8-Pin Types

---

1/4" and nine holes with diameters of  $0.0700" \pm 0.0005"$  so located on a  $0.9000" \pm 0.0005"$  diameter circle that the distance along the chord between any two adjacent hole centers is  $0.3078" \pm 0.0005"$ . Gauge is also provided with a hole having diameter of  $0.300" \pm 0.001"$  concentric with the pin circle.

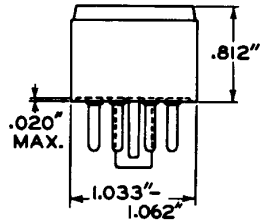




# Bases

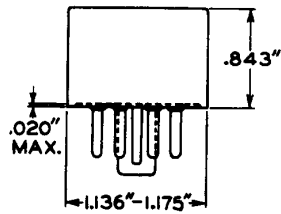
## 8-Pin Types

### DWARF-SHELL OCTAL



No. of Pins	Pins	JEDEC No.	RCA No.
5-Pin	1, 3, 5, 7, 8	B5-45	-

### SMALL-SHELL OCTAL



No. of Pins	Pins	JEDEC No.	RCA No.
8-Pin	1, 2, 3, 4, 5, 6, 7, 8	B8-1	8529
7-Pin	1, 2, 3, 4, 5, 7, 8	B7-2	7529
6-Pin	1, 2, 3, 5, 7, 8	B6-3	6529
5-Pin	1, 2, 4, 6, 8	B5-5	5529

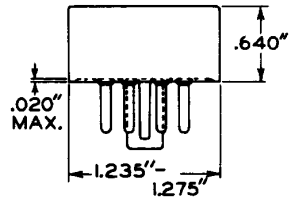
For other dimensions, see first page of the "Octal" series



# Bases

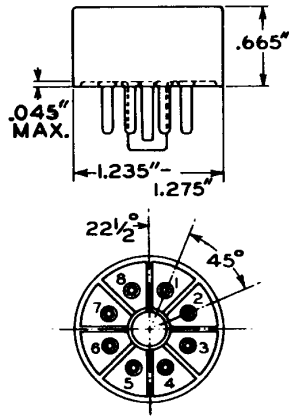
## 8-Pin Types

### SHORT INTERMEDIATE-SHELL OCTAL



No. of Pins	Pins	JEDEC No.	RCA No.
8-Pin	1, 2, 3, 4, 5, 6, 7, 8	B8-46	8555
7-Pin	1, 2, 3, 4, 5, 7, 8	B7-47	7555
6-Pin	1, 2, 3, 5, 7, 8	B6-48	6555
5-Pin	1, 2, 4, 6, 8	B5-49	5555

### SHORT INTERMEDIATE-SHELL OCTAL WITH EXTERNAL BARRIERS



No. of Pins	Pins	JEDEC No.	RCA No.
8-Pin	1, 2, 3, 4, 5, 6, 7, 8	B8-58	8565
7-Pin <sup>a</sup>	1, 2, 3, 4, 5, 7, 8	B7-59	7565
7-Pin <sup>b</sup>	1, 2, 3, 5, 6, 7, 8	B7-211	-
6-Pin <sup>a</sup>	1, 2, 3, 5, 7, 8	B6-60	6565
6-Pin <sup>b</sup>	2, 3, 4, 5, 7, 8	B6-84	6765
5-Pin <sup>a</sup>	1, 2, 4, 6, 8	B5-62	5565
5-Pin <sup>b</sup>	2, 3, 5, 7, 8	B5-85	5765
5-Pin <sup>c</sup>	2, 4, 5, 7, 8	B5-187	-

For other dimensions, see first page of the "Octal" series

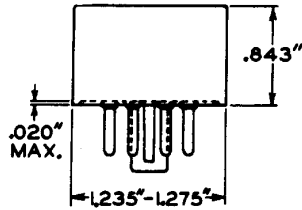
- <sup>a</sup> Arrangement 1.
- <sup>b</sup> Arrangement 2.
- <sup>c</sup> Arrangement 3.



# Bases

## 8-Pin Types

### INTERMEDIATE-SHELL OCTAL



No. of Pins	Pins	JEDEC No.	RCA No.
8-Pin	1, 2, 3, 4, 5, 6, 7, 8	B8-6	8537
7-Pin <sup>a</sup>	1, 2, 3, 4, 5, 7, 8	B7-7	7537
7-Pin <sup>b</sup>	1, 2, 3, 5, 6, 7, 8	B7-166	39100
6-Pin <sup>a</sup>	1, 2, 3, 5, 7, 8	B6-8	6537
6-Pin <sup>b</sup>	2, 3, 4, 5, 7, 8	B6-81	6737
5-Pin <sup>a</sup>	1, 2, 4, 6, 8	B5-10	5537
5-Pin <sup>b</sup>	2, 3, 5, 7, 8	B5-82	5737

For other dimensions, see first page of the "Octal" series

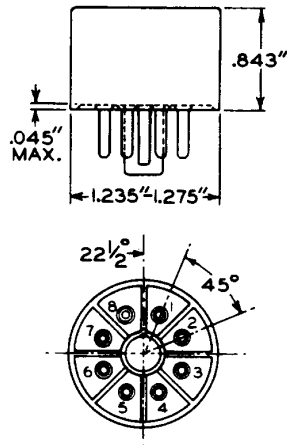
- <sup>a</sup> Arrangement 1.  
<sup>b</sup> Arrangement 2.



# Bases

## 8-Pin Types

### INTERMEDIATE-SHELL OCTAL WITH EXTERNAL BARRIERS



No. of Pins	Pins	JEDEC No.	RCA No.
8-Pin	1, 2, 3, 4, 5, 6, 7, 8	88-142	8566
7-Pin	1, 2, 3, 4, 5, 7, 8	87-143	7566
6-Pin <sup>a</sup>	1, 2, 3, 5, 7, 8	86-144	6566
6-Pin <sup>b</sup>	2, 3, 4, 5, 7, 8	86-145	6766
6-Pin <sup>c</sup>	2, 3, 5, 6, 7, 8	86-229	39111
5-Pin <sup>a</sup>	1, 2, 4, 6, 8	85-146	5566
5-Pin <sup>b</sup>	2, 3, 5, 7, 8	85-147	5766

For other dimensions, see first page  
of the "Octal" series

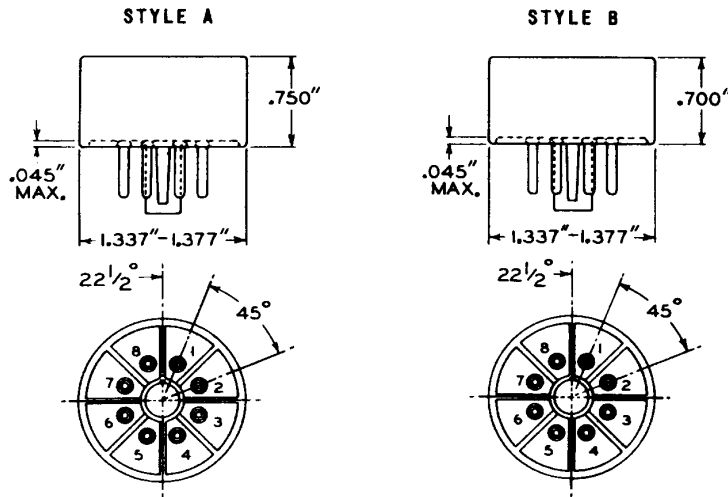
- <sup>a</sup> Arrangement 1.
- <sup>b</sup> Arrangement 2.
- <sup>c</sup> Arrangement 3.



# Bases

## 8-Pin Types

### SHORT MEDIUM-SHELL OCTAL WITH EXTERNAL BARRIERS



No. of Pins	Pins	Style	JEDEC No.	RCA No.
8-Pin	1, 2, 3, 4, 5, 6, 7, 8	A	B8-110	39081
8-Pin	1, 2, 3, 4, 5, 6, 7, 8	B	B8-118	8564
7-Pin <sup>a</sup>	1, 2, 3, 4, 5, 7, 8	A	B7-111	-
7-Pin <sup>a</sup>	1, 2, 3, 4, 5, 7, 8	B	B7-119	7564
7-Pin <sup>b</sup>	1, 2, 3, 5, 6, 7, 8	B	B7-227	39113
7-Pin <sup>c</sup>	1, 2, 3, 4, 6, 7, 8	B	B7-235	-
6-Pin <sup>a</sup>	1, 2, 3, 5, 7, 8	A	B6-112	-
6-Pin <sup>a</sup>	1, 2, 3, 5, 7, 8	B	B6-120	6564
6-Pin <sup>b</sup>	2, 3, 4, 5, 7, 8	A	B6-148	-
6-Pin <sup>b</sup>	2, 3, 4, 5, 7, 8	B	B6-122	6764
5-Pin <sup>a</sup>	1, 2, 4, 6, 8	A	B5-113	-
5-Pin <sup>a</sup>	1, 2, 4, 6, 8	B	B5-121	5564
5-Pin <sup>b</sup>	2, 3, 5, 7, 8	A	B5-149	-
5-Pin <sup>b</sup>	2, 3, 5, 7, 8	B	B5-123	5764
5-Pin <sup>c</sup>	1, 2, 3, 5, 7	A	B5-234	-
5-Pin <sup>c</sup>	1, 2, 3, 5, 7	B	B5-239	39116
5-Pin <sup>d</sup>	2, 4, 5, 7, 8	B	B5-190	39110

For other dimensions, see first page  
of the "Octal" series

- <sup>a</sup> Arrangement 1.
- <sup>b</sup> Arrangement 2.
- <sup>c</sup> Arrangement 3.
- <sup>d</sup> Arrangement 4.



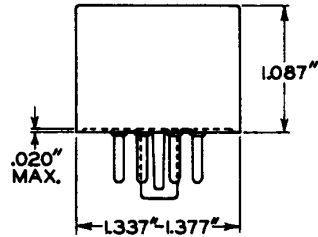
RADIO CORPORATION OF AMERICA  
Electron Tube Division  
Harrison, N. J.

BASES 14A  
3-61

# Bases

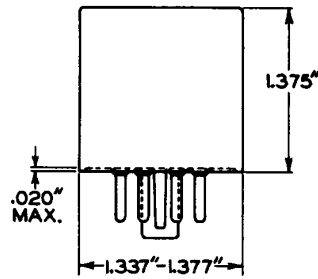
## 8-Pin Types

### MEDIUM-SHELL OCTAL



No. of Pins	Pins	JEDEC No.	RCA No.
8-Pin	1, 2, 3, 4, 5, 6, 7, 8	B8-11	8533
7-Pin	1, 2, 3, 4, 5, 7, 8	B7-12	7533
6-Pin	1, 2, 3, 5, 7, 8	B6-13	6533
5-Pin <sup>a</sup>	1, 2, 4, 6, 8	B5-15	5533
5-Pin <sup>b</sup>	2, 3, 5, 7, 8	B5-224	5733

### LONG MEDIUM-SHELL OCTAL



No. of Pins	Pins	JEDEC No.	RCA No.
8-Pin	1, 2, 3, 4, 5, 6, 7, 8	B8-65	8545
5-Pin	2, 3, 5, 7, 8	B5-80	5545

For other dimensions of above bases, see first page of the "Octal" series

- <sup>a</sup> Arrangement 1.  
<sup>b</sup> Arrangement 2.

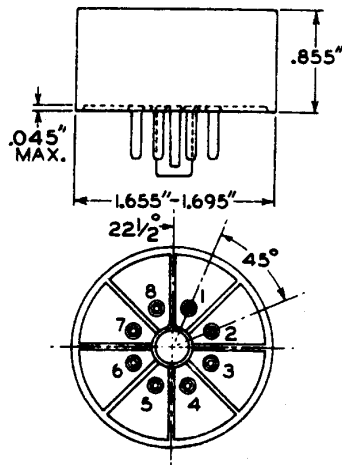




# BASES

8-PIN TYPES

## SHORT JUMBO-SHELL OCTAL WITH EXTERNAL BARRIERS



No. of Pins	Pins	JETEC No.	RCA No.
8-Pin	1, 2, 3, 4, 5, 6, 7, 8	B8-71	8556
7-Pin	1, 2, 3, 4, 5, 7, 8	B7-72	7556
6-Pin	1, 2, 3, 5, 7, 8	B6-73	6556
5-Pin	1, 2, 4, 6, 8	B5-74	5556

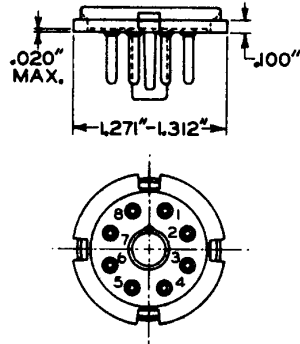
For other dimensions, see first page  
of the "Octal" series



# BASES

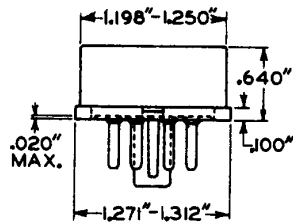
8-PIN TYPES

## SMALL-WAFER OCTAL



No. of Pins	Pins	JETEC No.	RCA No.	
8-Pin	1, 2, 3, 4, 5, 6, 7, 8	88-21	8527	8540
7-Pin	1, 2, 3, 4, 5, 7, 8	87-22	7527	7540
6-Pin	1, 2, 3, 5, 7, 8	86-23	6527	6540
5-Pin	1, 2, 4, 6, 8	85-25	5527	5540

## SMALL-WAFER OCTAL WITH SLEEVE



No. of Pins	Pins	JETEC No.	RCA No.
8-Pin	1, 2, 3, 4, 5, 6, 7, 8	88-44	MB8527-602

For other dimensions of above bases, see first page of the "Octal" series

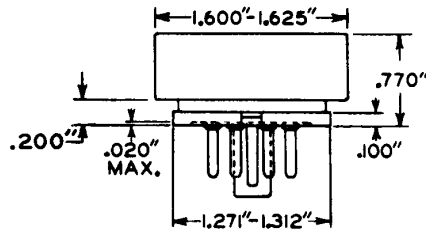




# BASES

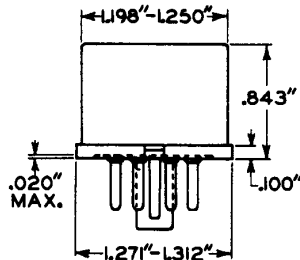
## 8-PIN TYPES

### SMALL-WAFER OCTAL WITH ".770" SLEEVE



No. of Pins	Pins	JETEC No.	RCA No.
8-Pin	1, 2, 3, 4, 5, 6, 7, 8	B8-150	MB8540-7
7-Pin	1, 2, 3, 4, 5, 7, 8	B7-151	MB7540-4
6-Pin	1, 2, 3, 5, 7, 8	B6-152	MB6540-5
6-Pin	2, 3, 4, 5, 7, 8	B6-153	MB6740-1
5-Pin	1, 2, 4, 6, 8	B5-154	MB5540-1
5-Pin	2, 3, 5, 7, 8	B5-155	MB5740-1

### SMALL-WAFER OCTAL WITH ".843" SLEEVE



No. of Pins	Pins	JETEC No.	RCA No.
8-Pin	1, 2, 3, 4, 5, 6, 7, 8	B8-26	MB8527-1
7-Pin	1, 2, 3, 4, 5, 7, 8	B7-27	MB7527-1
6-Pin	1, 2, 3, 5, 7, 8	B6-28	MB6527-1
5-Pin	1, 2, 4, 6, 8	B5-30	MB5527-1

For other dimensions of above bases, see first page of the "Octal" series

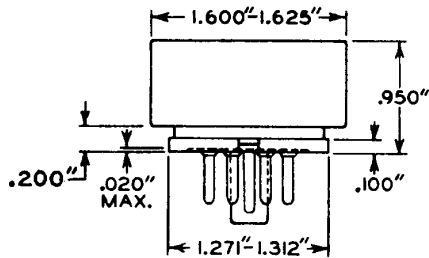
- Arrangement 1.
- ▲ Arrangement 2.



# BASES

## 8-PIN TYPES

### SMALL-WAFER OCTAL WITH ".950" SLEEVE



No. of Pins	Pins	JETEC No.	RCA No.
8-Pin	1, 2, 3, 4, 5, 6, 7, 8	B8-191	MB8540-8
7-Pin	1, 2, 3, 4, 5, 7, 8	B7-192	MB7540-5
6-Pin <sup>■</sup>	1, 2, 3, 5, 7, 8	B6-193	MB6540-6
6-Pin <sup>▲</sup>	2, 3, 4, 5, 7, 8	B6-194	MB6740-2
5-Pin <sup>■</sup>	1, 2, 4, 6, 8	B5-195	MB5540-3
5-Pin <sup>▲</sup>	2, 3, 5, 7, 8	B5-196	MB5740-2

For other dimensions of above base, see first page of the "Octal" series

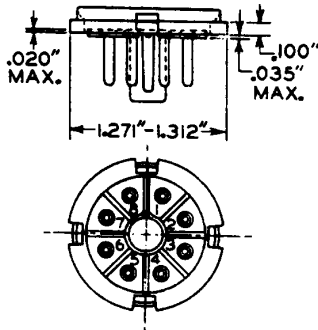
- Arrangement 1.
- ▲ Arrangement 2.



# BASES

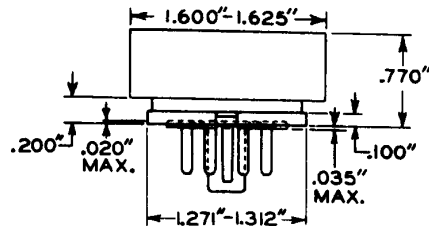
## 8-PIN TYPES

### SMALL-WAFER OCTAL WITH EXTERNAL BARRIERS



No. of Pins	Pins	JETEC No.	RCA No.
8-Pin	1, 2, 3, 4, 5, 6, 7, 8	88-67	8559
7-Pin	1, 2, 3, 4, 5, 7, 8	87-68	7559
6-Pin <sup>■</sup>	1, 2, 3, 5, 7, 8	86-69	6559
6-Pin <sup>▲</sup>	2, 3, 4, 5, 7, 8	86-205	6759
5-Pin <sup>■</sup>	1, 2, 4, 6, 8	85-70	5559
5-Pin <sup>▲</sup>	2, 3, 5, 7, 8	85-206	5759

### SMALL-WAFER OCTAL WITH EXTERNAL BARRIERS AND ".770" SLEEVE



No. of Pins	Pins	JETEC No.	RCA No.
8-Pin	1, 2, 3, 4, 5, 6, 7, 8	88-159	MB8559-2
7-Pin	1, 2, 3, 4, 5, 7, 8	87-160	MB7559-1
6-Pin <sup>■</sup>	1, 2, 3, 5, 7, 8	86-161	MB6559-1
6-Pin <sup>▲</sup>	2, 3, 4, 5, 7, 8	86-162	MB6759-1
5-Pin <sup>■</sup>	1, 2, 4, 6, 8	85-163	MB5559-1
5-Pin <sup>▲</sup>	2, 3, 5, 7, 8	85-164	MB5759-1

For other dimensions of above bases, see first page of the "Octal" series

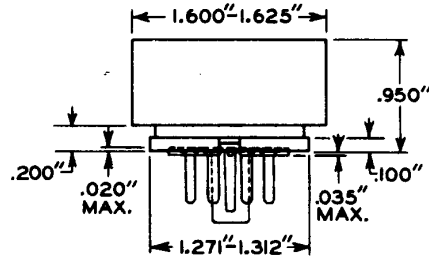
- Arrangement 1.
- ▲ Arrangement 2.



# BASES

8-PIN TYPES

## SMALL-WAFER OCTAL WITH EXTERNAL BARRIERS AND ".950" SLEEVE



No. of Pins	Pins	JETEC No.	RCA No.
8-Pin	1,2,3,4,5,6,7,8	B8-197	MB8559-4
7-Pin	1,2,3,4,5, 7,8	B7-198	MB7559-2
6-Pin <sup>■</sup>	1,2,3, 5, 7,8	B6-199	MB6559-2
6-Pin <sup>▲</sup>	2,3,4,5, 7,8	B6-200	MB6759-2
5-Pin <sup>■</sup>	1,2, 4, 6, 8	B5-201	MB5559-2
5-Pin <sup>▲</sup>	2,3, 5, 7,8	B5-202	MB5759-2

For other dimensions of above base, see first page of the "Octal" series

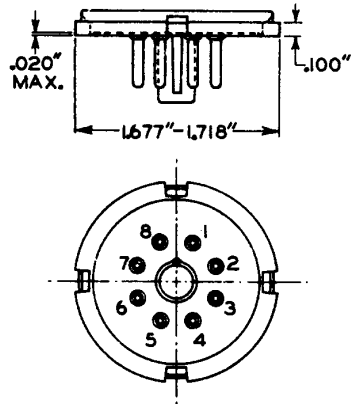
- Arrangement 1.
- ▲ Arrangement 2.



# BASES

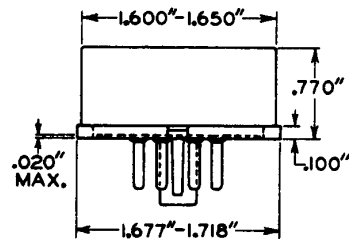
8-PIN TYPES

## LARGE-WAFER OCTAL



No. of Pins	Pins	JETEC No.	RCA No.
8-Pin	1, 2, 3, 4, 5, 6, 7, 8	B8-32	8534

## LARGE-WAFER OCTAL WITH SLEEVE



No. of Pins	Pins	JETEC No.	RCA No.
8-Pin	1, 2, 3, 4, 5, 6, 7, 8	B8-86	MB8534-601

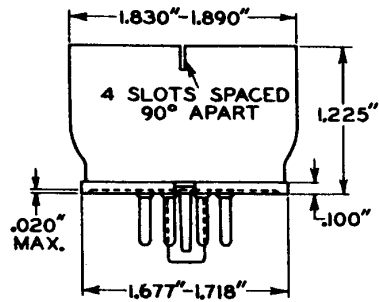
For other dimensions of above bases, see first page of the "Octal" series



# BASES

8-PIN TYPES

## LARGE-WAFER OCTAL WITH FLARED SLEEVE



No. of Pins	Pins	JETEC No.	RCA No.
8-Pin	1, 2, 3, 4, 5, 6, 7, 8	B8-188	MB8534-600

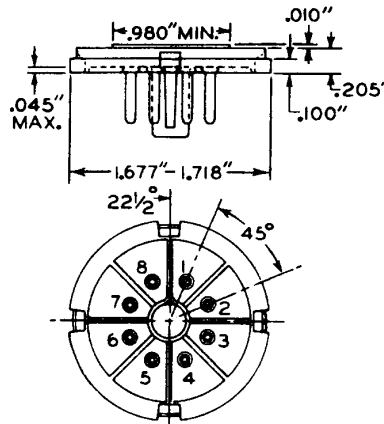
*For other dimensions, see first page of the "Octal" series*



# BASES

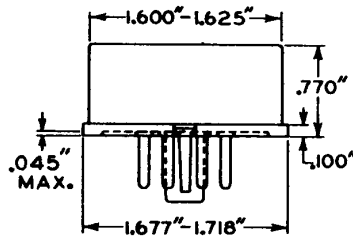
## 8-PIN TYPES

### LARGE-WAFER OCTAL WITH EXTERNAL BARRIERS



No. of Pins	Pins	JETEC No.	RCA No.
8-Pin	1, 2, 3, 4, 5, 6, 7, 8	B8-94	8554
7-Pin	1, 2, 3, 4, 5, 7, 8	B7-95	7554
6-Pin	1, 2, 3, 5, 7, 8	B6-96	6554
5-Pin	1, 2, 4, 6, 8	B5-97	5554

### LARGE-WAFER OCTAL WITH EXTERNAL BARRIERS AND SLEEVE



No. of Pins	Pins	JETEC No.	RCA No.
8-Pin	1, 2, 3, 4, 5, 6, 7, 8	B8-98	MB8554-1   MB8554-600
7-Pin	1, 2, 3, 4, 5, 7, 8	B7-99	MB7554-1   -
6-Pin	1, 2, 3, 5, 7, 8	B6-100	MB6554-1   -
5-Pin	1, 2, 4, 6, 8	B5-101	MB5554-2   -

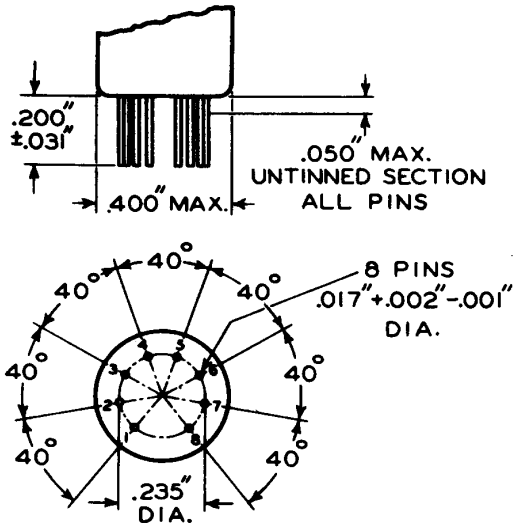
For other dimensions of above bases, see first page of the "Octal" series



# BASES

8-PIN TYPES  
With Bottom View

## SMALL-BUTTON SUB-MINAR 8-PIN BASE



92CS-7158

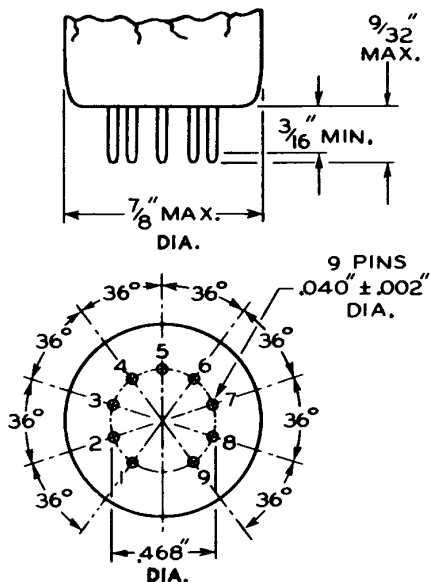
The design of the socket should be such that the point of bearing of the contacts on the base pins should not be closer than 0.050" from the bottom of the seated tube.



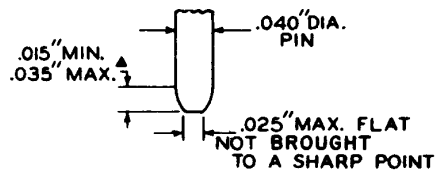
# Bases

## 9-Pin Types

### SMALL-BUTTON NOVAL 9-PIN Pin Dimensions and Orientation



### Noval-Base-Pin Contour



JEDEC No. E9-1  
RCA No. FSD169

Base-pin positions are held to tolerances such that entire length of pins will, without undue force, pass into and disengage from gauge JEDEC No. GE9-1. This gauge contains a flat-plate section having thickness of 1/4" and ten holes with diameters of  $0.0520" \pm 0.0005"$  so located on a  $0.4680" \pm 0.0005"$  diameter circle that the distance along the chord between any two adjacent hole centers is  $0.1446" \pm 0.0005"$ .

The design of the socket should be such that circuit wiring can not impress lateral strains through the socket contacts on the base pins. The point of bearing of the contacts on the base pins should not be closer than 1/8" from the bottom of the seated tube.

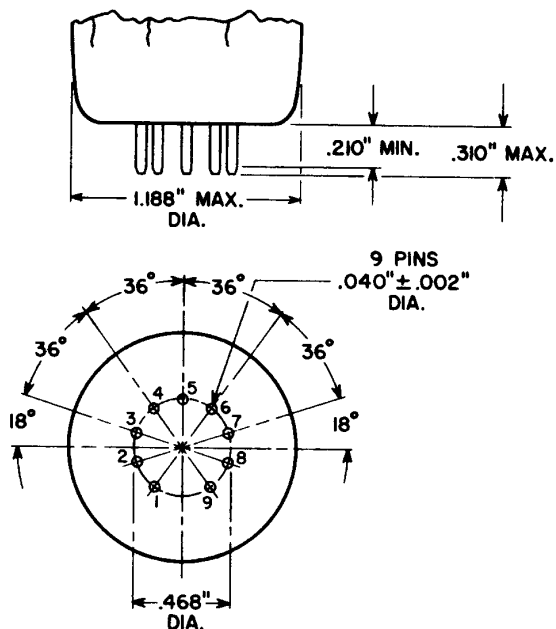
\* This dimension around the periphery of any individual pin may vary within the limits shown. The surface of the pin is convex or conical in shape and not brought to a sharp point.



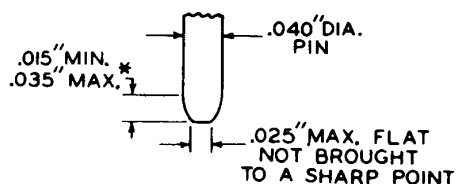
# Bases

## 9-Pin Types

### LARGE-BUTTON NEOVAL 9-PIN Pin Dimensions and Orientation



### Neoval-Base-Pin Contour



JEDEC No. E9-68  
RCA No. FSD171

Base-pin positions are held to tolerances such that entire length of pins will, without undue force, pass into and disengage from gauge JEDEC No. GE9-4. This gauge contains a flat-plate section having thickness of 1/4" and ten holes with diameters of  $0.0520" \pm 0.0005"$  so located on a  $0.4680" \pm 0.0005"$  diameter circle that the distance along the chord between any two adjacent hole centers is  $0.1446" \pm 0.0005"$ .

The design of the socket should be such that circuit wiring can not impress lateral strains through the socket contacts on the base pins. The point of bearing of the contacts on the base pins should not be closer than 1/8" from the bottom of the seated tube.

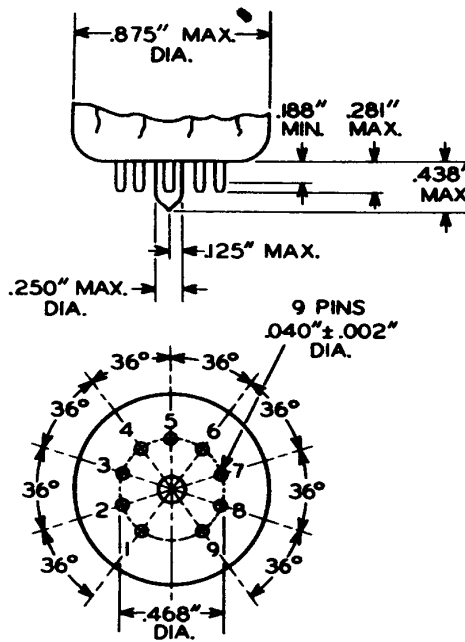
\* This dimension around the periphery of any individual pin may vary within the limits shown. The surface of the pin is convex or conical in shape and not brought to a sharp point.



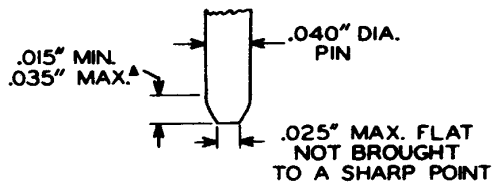
# Bases

## 9-Pin Types

### SMALL-BUTTON NINAR 9-PIN Pin Dimensions and Orientation



### Ninar-Base-Pin Contour



JEDEC No. E9-37  
RCA No. FSB6047

Base-pin positions are held to tolerances such that entire length of pins will, without undue force, pass into and disengage from gauge JEDEC No. GE9-2. This gauge contains a flat-plate section having thickness of 0.250" and ten holes with diameters of  $0.0520" \pm 0.0005"$  so located on a  $0.4680" \pm 0.0005"$  diameter circle that the distance along the chord between any two adjacent hole centers is  $0.1446" \pm 0.0005"$ . Gauge is also provided with a hole 0.281" minimum diameter concentric with the pin circle.

▲ This dimension around the periphery of any individual pin may vary within the limits shown. The surface of the pin is convex or conical in shape and not brought to a sharp point.



RADIO CORPORATION OF AMERICA  
Electron Tube Division  
Harrison, N. J.

BASES 18A  
7-61

# Bases

## 9-Pin Types

---

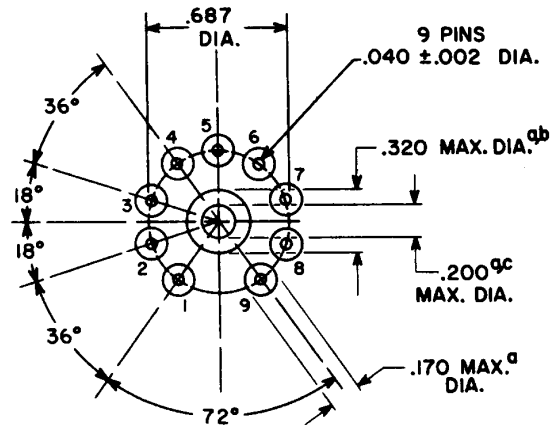
### SMALL-BUTTON NINAR 9-PIN (CONT'D)

The design of the socket should be such that circuit wiring cannot impress lateral strains through the socket contacts on the base pins. The point of bearing of the contacts on the base pins should not be closer than 1/8" from the bottom of the seated tube.

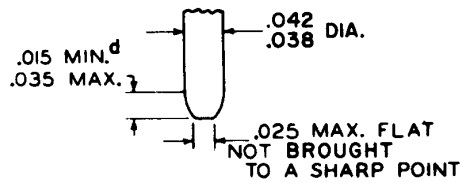


# Bases 9-Pin Types

## NOVAR Pin Dimensions and Orientation



### Novar-Base-Pin Contour



92CS-11128RI

DIMENSIONS IN INCHES

Base-pin positions are held to tolerances such that entire length of pins will, without undue force, pass into and disengage from flat-plate gauge having a thickness of 0.350" and ten holes with diameters of 0.0520" ± 0.0005" so located on a 0.6870" ± 0.0005" diameter circle that the distance along the chord between any two adjacent hole centers is 0.2123" ± 0.0005". Gauge is also provided with a hole 0.330" + 0.005" - 0.000" diameter concentric with the pin circle.

<sup>a</sup> This dimension applies only to JEDEC Base Nos. E9-88 and E9-89.

<sup>b</sup> Limit of exhaust tube fillet diameter.

<sup>c</sup> Exhaust tube maximum diameter.

<sup>d</sup> This dimension around the periphery of any individual pin may vary within the limits shown. The surface of the pin is convex or conical in shape and not brought to a sharp point.



RADIO CORPORATION OF AMERICA  
Electronic Components and Devices  
Harrison, N. J.

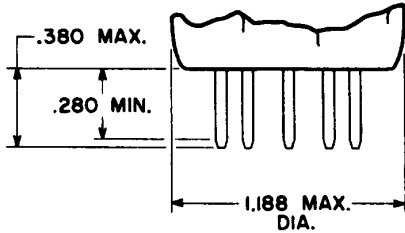
BASES 18B  
2-65

# Bases

## 9-Pin Types

### TOP EXHAUST NOVAR

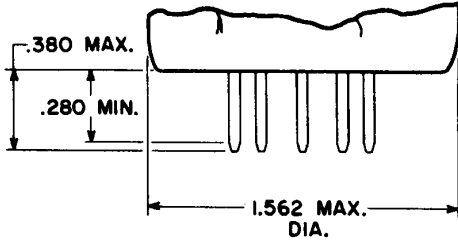
#### Small-Button Base



JEDEC No. E9-75  
RCA No. FSE36

*Fits Gauge*  
JEDEC No. GE9-5

#### Large-Button Base

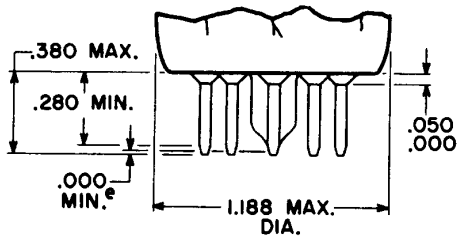


JEDEC No. E9-76  
RCA No. FSE22A

*Fits Gauge*  
JEDEC No. GE9-6

### BOTTOM EXHAUST NOVAR

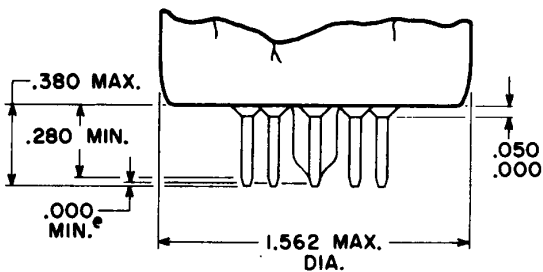
#### Small-Button Base



JEDEC No. E9-89  
RCA No. FSE43G

*Fits Gauge*  
JEDEC No. GE9-5

#### Large-Button Base



JEDEC No. E9-88  
RCA No. FSE43C

*Fits Gauge*  
JEDEC No. GE9-6

92CM-11300R1

DIMENSIONS IN INCHES

<sup>e</sup> The exhaust tip shall not extend beyond the plane of the base pin ends.

RADIO CORPORATION OF AMERICA  
Electronic Components and Devices

Harrison, N. J.

